

Product Sheet

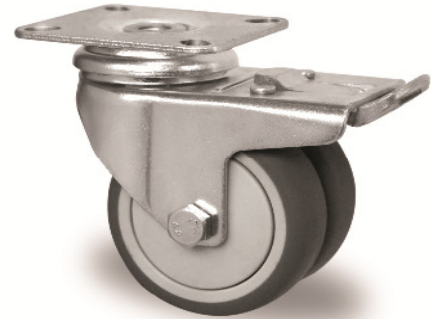
Alles loopt op rolletjes!

Item No. T D P E 6 C C 050 P 2 T 2 P 0 N

housing / data

housing type
series
fixing type
hole dimensions / hub width
thickness of fixing / fork
surface treatment

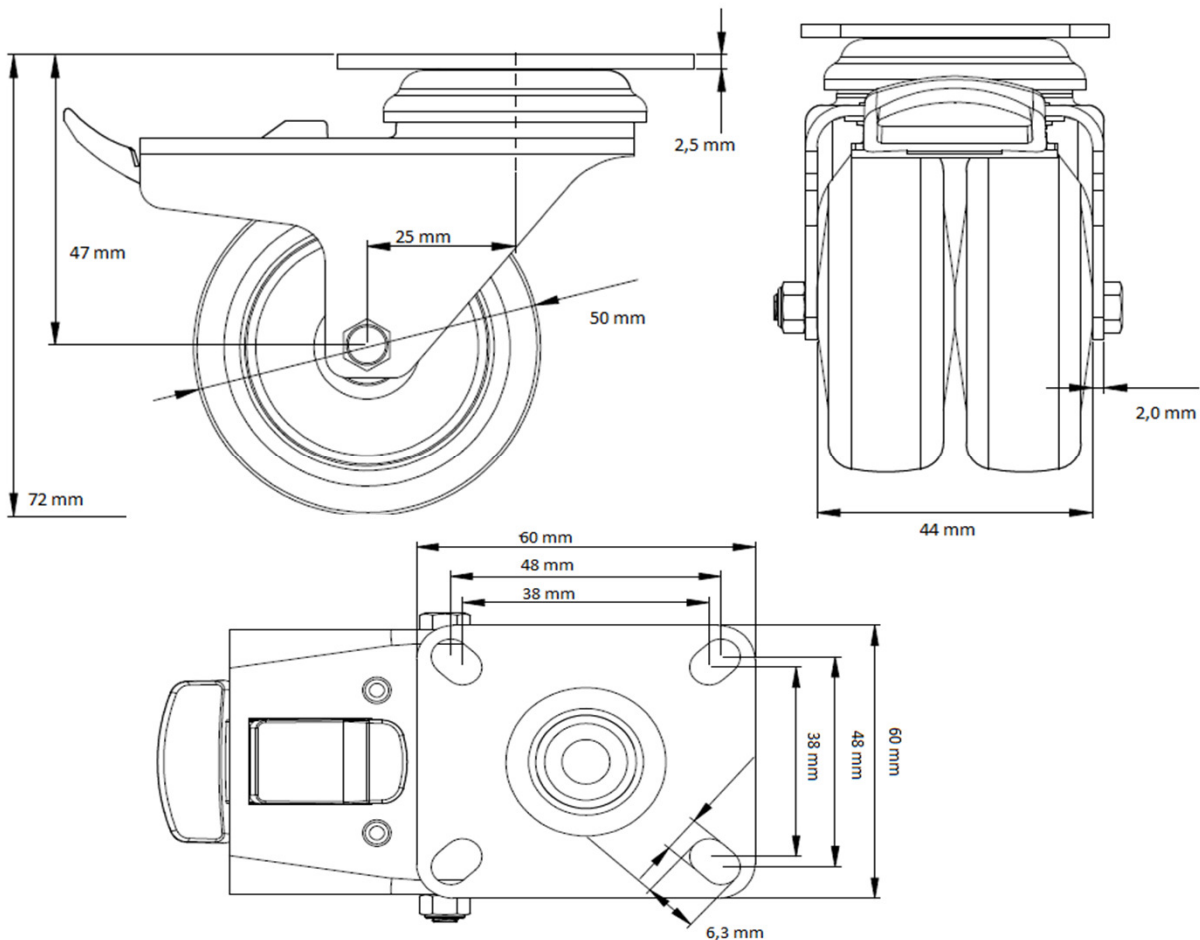
swivel castor with total brake
apparatus twin wheels
fixing plate
60 x 60 mm
2.50 mm / 2.00 mm
zinc-chromatised



wheel / data

diameter
wheel center
wheel tread
bearing
threadguard
hub width
axle diameter
temperature range
dyn. load capacity

50 mm
Polypropylene grey
thermopl. rubber 95° Shore A grey
plain bearing
no separate threadguard
44 mm
M6
-20°C - +60°C
70 kg



Alles loopt op rolletjes!