

Product Sheet

Item No. S H P 5 K W C 200 Z 0 Z 0 D 0 N

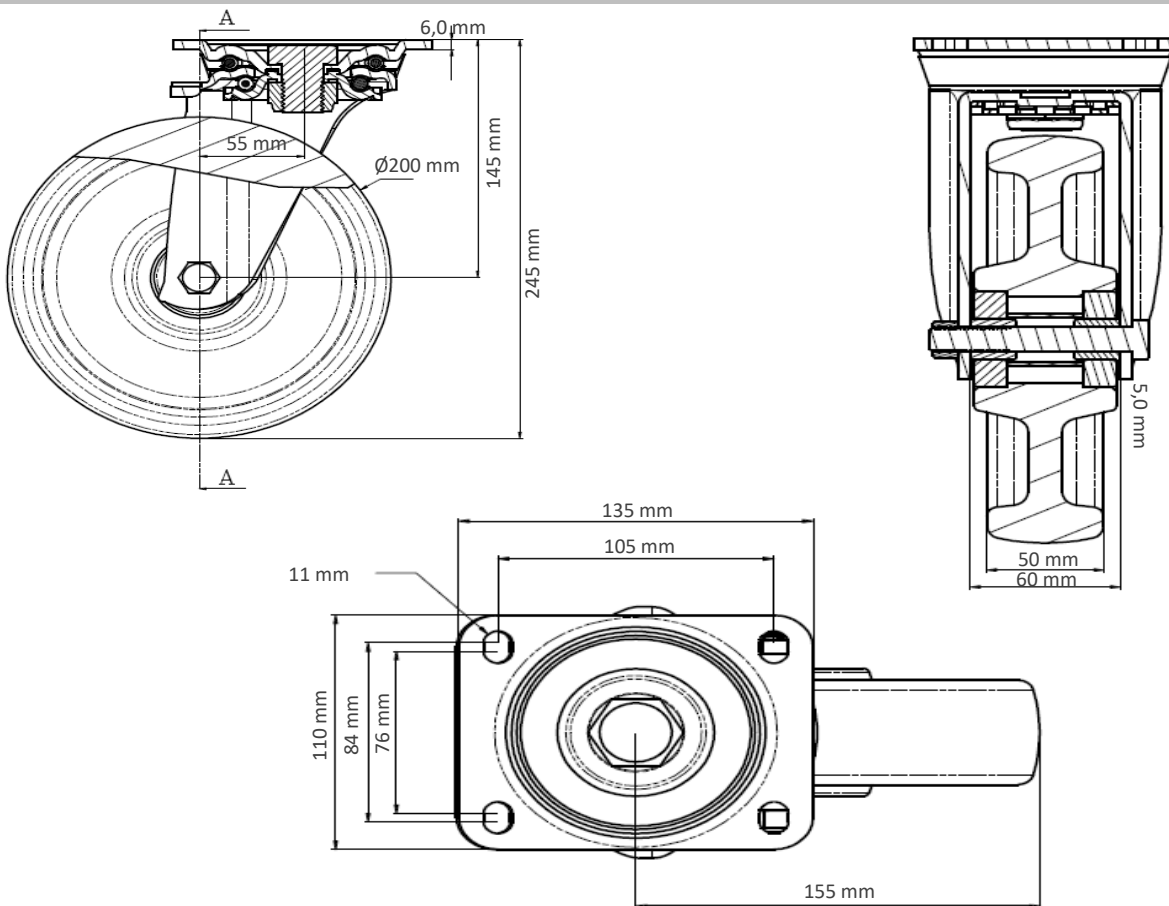
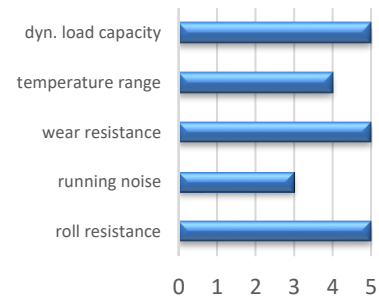
housing / data

| | |
|-----------------------------|----------------------|
| housing type | swivel castor |
| series | heavy duty |
| fixing type | fixing plate |
| hole dimensions / hub width | 105 x 80 mm / 60 mm |
| thickness of fixing / fork | 6.00 mm / 5.00 mm |
| surface treatment | galvanized blue zinc |



wheel / data

| | |
|--------------------|------------------------------|
| diameter | 200 mm |
| wheel center | Polyamide (Heavy Duty) white |
| wheel tread | Polyamide (Heavy Duty) white |
| bearing | double ball bearing |
| threadguard | no separate threadguard |
| hub width | 60 mm |
| axle diameter | M 12 |
| temperature range | -40°C - +80°C |
| dyn. load capacity | 1000 kg |



Deviation possible! All information is subject to change.