

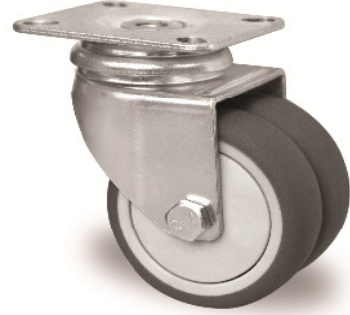
Product Sheet

Alles loopt op rolletjes!

Item No. ZWES D P E 1 C C 075 P 2 T 2 B 4 2

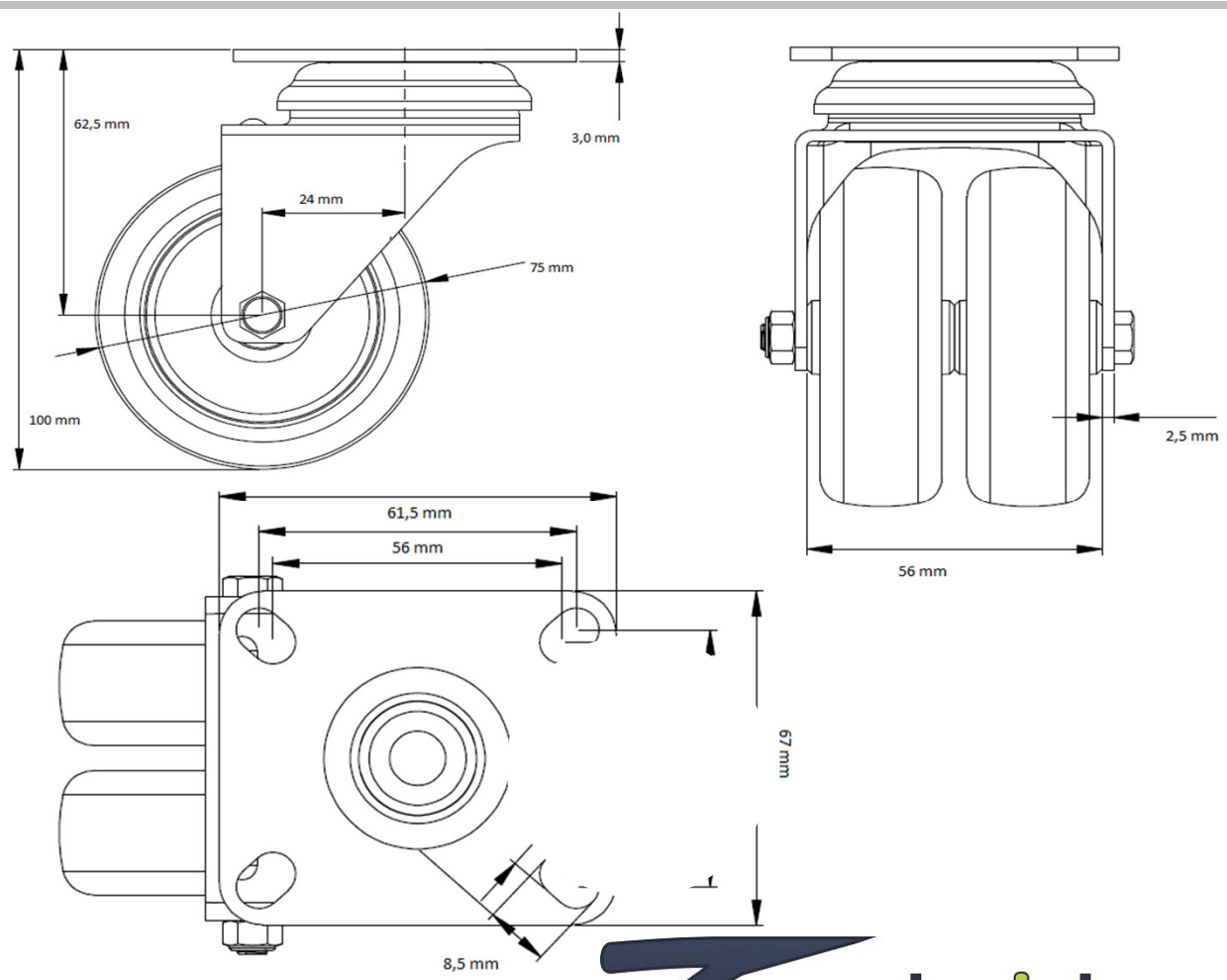
housing / data

housing type	swivel castor
series	apparatus twin wheels
fixing type	fixing plate
hole dimensions / hub width	77 x 67 mm
thickness of fixing / fork	3.00 mm / 2.50 mm
surface treatment	zinc-chromatised



wheel / data

diameter	75 mm
wheel center	Polypropylene grey
wheel tread	thermopl. rubber 95° Shore A grey
bearing	single ball bearing
threadguard	full covering plastic threadguard
hub width	56 mm
axle diameter	M8
temperature range	-20°C - +60°C
dyn. load capacity	100 kg



Alles loopt op rolletjes!