

Product Sheet

Alles loopt op rolletjes!

Item No. ZWEH D H H H C C 050 P 2 T 2 B 4 2

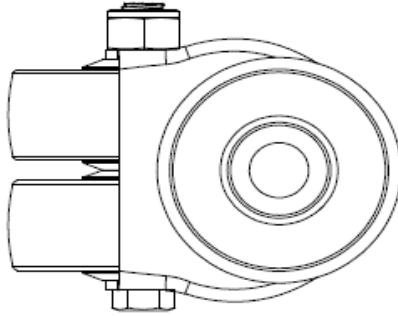
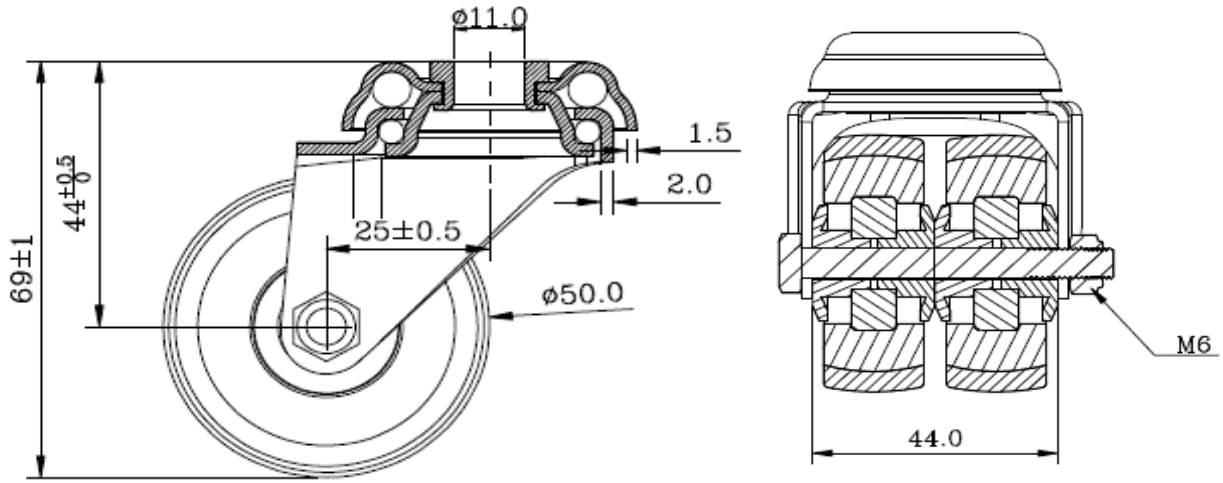
housing / data

housing type swivel castor with hole fitting
series apparatus twin wheels
fixing type bolt hole
hole dimensions / hub width 11 mm Diameter / 44 mm
thickness of fixing / fork 1.50 mm / 2.00 mm
surface treatment zinc-chromatised



wheel / data

diameter 50 mm
wheel center Polypropylene grey
wheel tread thermopl. rubber 95° Shore A grey
bearing single ball bearing
threadguard full covering plastic threadguard
hub width 44 mm
axle diameter M6
temperature range -20°C - +60°C
dyn. load capacity 70 kg



Alles loopt op rolletjes!