

# Product Sheet

Alles loopt op rolletjes!

Item No. Z W E S B P 2 6 W C 080 S W S 4 R 0 N

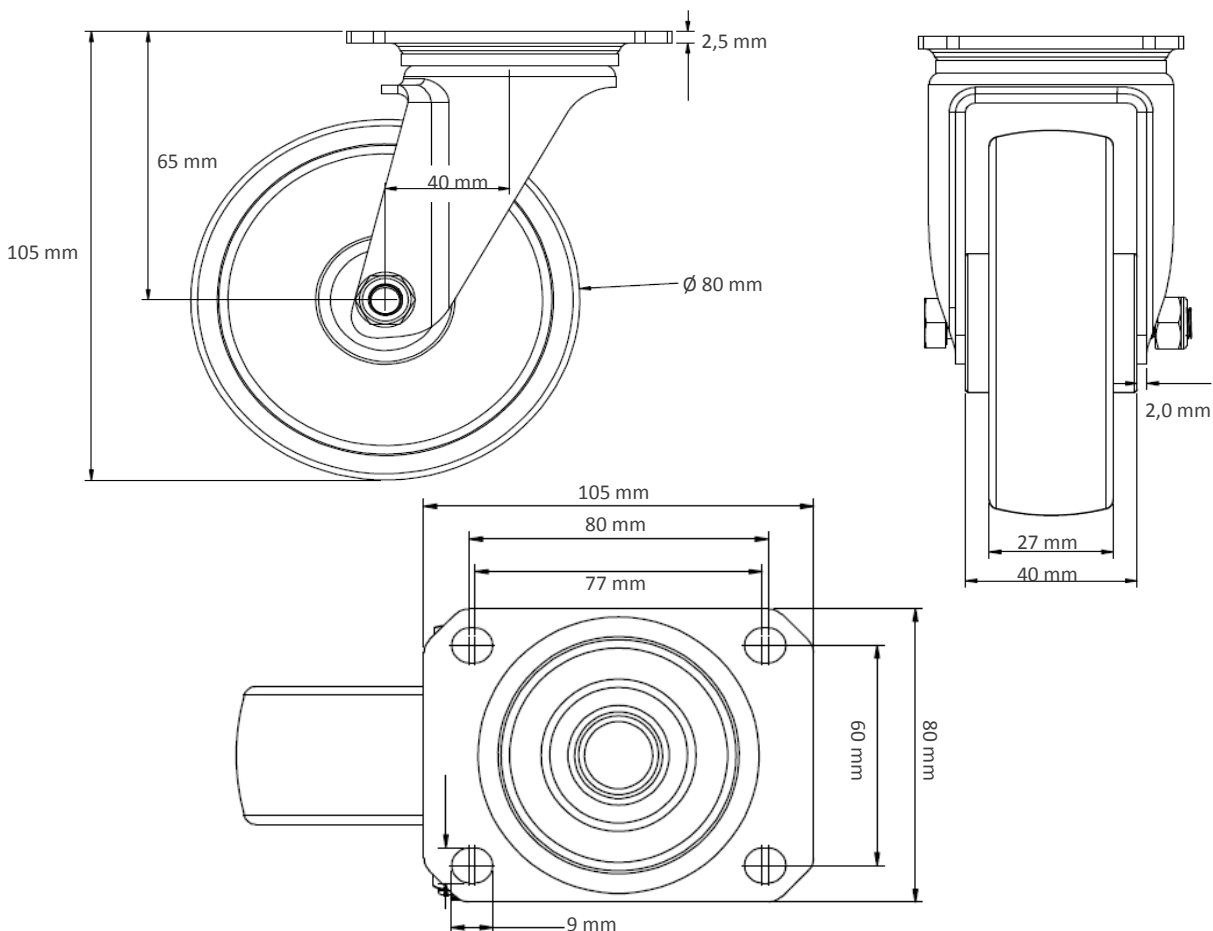
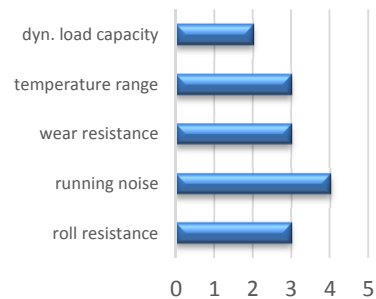
### housing / data

housing type	swivel castor
series	CASCOO Basics
fixing type	fixing plate
hole dimensions / hub width	80 x 60 mm / 42 mm
thickness of fixing / fork	2.50 mm / 2.00 mm
surface treatment	galvanized blue zinc



### wheel / data

diameter	80 mm
wheel center	steel rim
wheel tread	rubber black
bearing	roller bearing
threadguard	no separate threadguard
hub width	40 mm
axle diameter	M 8
temperature range	-20°C - +60°C
dyn. load capacity	70 kg



Alles loopt op rolletjes!